

GP8I-6: Genesi 80cm

6 Zone Induction Hob



Introducing the Steel 6 zone induction cooktop providing a high quality cooking experience with features such as zone free technology, sliding controls and double booster function.



Bevel Edge Finish

Features and Benefits:

Warranty	3 Years
Zone Free Technology	High performance, large area zone that gives you the choice of using a larger or square pan as well as using two pans in the same area. 6 x 2100w zones are independently controlled via slide control.
Touch Control	Electronic controls with sensitive touch keys, making it easier and more accurate to control temperatures. This activation is indicated by a control light, letter or number in the display and/or 'beep' sound.
Double Booster Control	Booster (P) and Double Booster () provide a boost of power to the selected heating zone. When activated, the heating zones work for 10 minutes with an ultra high power.
Efficient Cooktop System	Instead of using a flame or a heating element, induction cooktop directly heats cooking pot, causing very rapid increases in temperature.
Timer	Able to be used on all heating zones simultaneously with different time settings (from 0 to 999 minutes) for each heating zone.
Bridge Function	Allows the use of 2 cooking zones at the same time (left, middle and right zones) with the same features as a single cooking zone. Booster function not applicable.
Black Glass Design	Easy to clean and contemporary design makes this hob very desirable for all kitchen designs.
MADE IN ITALY	Units are designed specifically for the Australian market and manufactured in Italy by dedicated boutique specialist manufacturer.

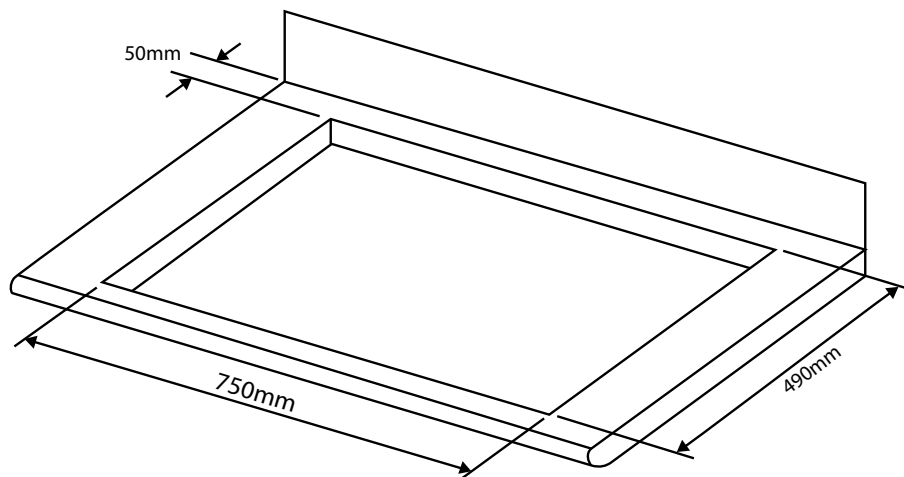
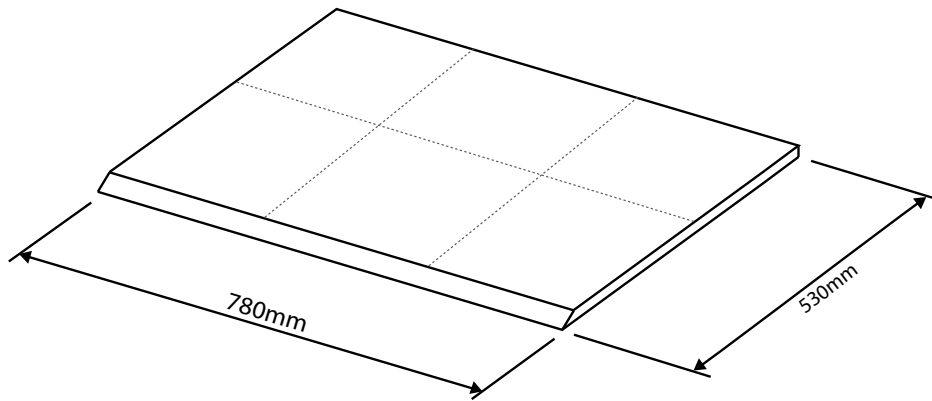
Distributed by Arisit Pty Ltd

40-44 Mark Anthony Drive, Dandenong South VIC 3175 Phone: 1300 762 219 Fax: 03 9706 6904 Website: www.arisit.com

www.steelbrand.com.au

GP8I-6: Genesi 80cm

6 Zone Induction Hob



Model	GP8I-6
Control Panel	Touch Slide
Number of Power Levels	9
Child Safety	YES
Total Amps	48 AMPS
Total Power	11 KW
Nominal Power	2100 W
Booster	6 x 2800 W
Double Booster	6 x 3700 W
Minimum Diameter Defection	100mm
Product Dimensions	(W) 780mm x (D) 530mm
Cut Out Product Dimensions	(L) 750mm x (D) 490mm

WARNING: Technical specifications and product sizes can be varied by the manufacturer, without notice. Cut outs for appliances should only be physical product measurements. The above information is indicative only.

Distributed by Arisit Pty Ltd

40-44 Mark Anthony Drive, Dandenong South VIC 3175 Phone: 1300 762 219 Fax: 03 9706 6904 Website: www.arisit.com

www.steelbrand.com.au