

G10SEF-5FI: Genesi 100cm Combi-Steam Enamelled Upright Cooker



with 5 Induction Zones



Main Oven
81lt Gross Capacity (70lt)
Combi-Steam



Second Oven
49lt Gross Capacity (39lt)



Standard Colours (while stocks last):
stainless steel, anthracite, white, yellow, red, lime green



*Shown with splashback optional extra

Features and Benefits:

Warranty	3 Years
Combi-Steam Cooking	Steel offers the only upright cooker on the Australian retail market with combi-steam technology and brass burners. Combi-Steam functionality provides an improved cooking experience by stopping food from drying out, helping to preserve nutrients and vitamins while delivering an improved taste.
Functions (main oven)	Top and bottom element, static steam, top element, steam with fan assist, fan forced, grill with fan, grill (no fan), defrost and rapid heat
Functions (second oven)	Top and bottom element, bottom element, top element, Grill (no fan), light
Efficient Cooktop System	Instead of using a flame or a heating element, induction cooktop directly heats cooking pot, causing very rapid increases in temperature.
Push pull storage system	Under the main cavity that can be used for storing items and warming plates
Telescopic Rails	Ensures you can move trays easily in and out of the oven
Minute Minder	Allows you to set a timer as well as a finish time for your cooking
Easy-clean steam-safe enamel	The new high grade flexible enamel is designed to withstand exposure to steam over long periods of time, making the Steel oven strong, durable and easy to clean.
Cool-Touch Door	Thick triple glazed commercial grade glass oven door keeping the door cool to touch
Extra Height Kit Available	50mm plinth kit adjusts from 920mm - 970mm overall height
Splashback	Splashback available as optional extra
Gas Type	N/A
MADE IN ITALY	Units are handmade specifically for the Australian market and constructed in Italy by a boutique specialist manufacturer.

Distributed by Arisit Pty Ltd

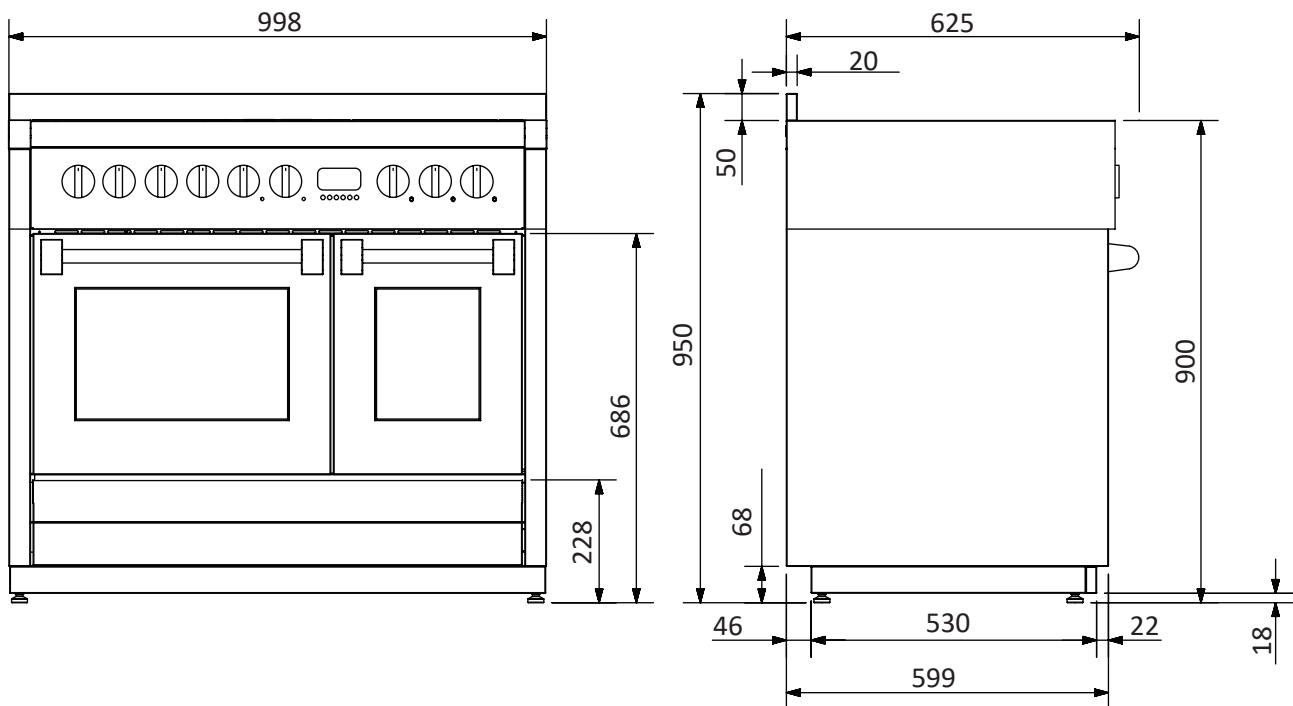
40-44 Mark Anthony Drive, Dandenong South VIC 3175 Phone: 1300 762 219 Fax: 03 9706 6904 Website: www.arisit.com

www.steelbrand.com.au

G10SEF-5FI: Genesi 100cm

Combi-Steam Enamelled Upright Cooker

with 5 Induction Zones



Model	G10SEF-5FI
Combi-Steam Functionality	YES
Control Panel	Stainless Steel with metal knobs
Total Amps	49 AMPS
Mj/h Total Gas Consumption for cooking hob	N/A
Cooker Configuration	5 Induction Zones (2 x 3kw, 1 x 1.8kw & 2 x 3.2kw)
Main Oven	81 Litre Gross (70 Litre Net)
Internal Dimensions	(W) 470mm x (D) 430mm x (H) 350mm
Second Oven	49 Litre Gross (39 Litre Net)
Internal Dimensions	(W) 260mm x (D) 430mm x (H) 350mm
Flame Failure	N/A
Product Dimensions	(W) 998mm x (D) 599mm x (H) 900-920mm

WARNING: Technical specifications and product sizes can be varied by the manufacturer, without notice. Cut outs for appliances should only be physical product measurements. The above information is indicative only.

Distributed by Arisit Pty Ltd

40-44 Mark Anthony Drive, Dandenong South VIC 3175 Phone: 1300 762 219 Fax: 03 9706 6904 Website: www.arisit.com

www.steelbrand.com.au