

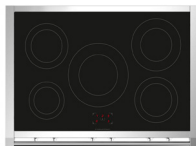
# A10FF-6I: Ascot 100cm

## Multi Function Upright Cooker

with 5 Induction Zones



Main Oven  
81lt Gross Capacity (70lt)



Second Oven  
49lt Gross Capacity (39lt)



Standard Colours: stainless steel, anthracite, white,  
Boutique Colours: crema, bordeaux, celeste, black, nuvola  
(available at additional \$400)

### Features and Benefits:

Warranty	3 Years
Nine Functions (main oven)	Top and bottom element, top element, fan forced, grill with fan, grill (no fan), defrost and rapid heat
Five Functions (second oven)	Top and bottom element, bottom element, top element, Grill (no fan), light
Efficient Cooktop System	Instead of using a flame or a heating element, induction cooktop directly heats cooking pot, causing very rapid increases in temperature.
Push pull storage system	Under the main cavity that can be used for storing items and warming plates
Telescopic Rails	Ensures you can move trays easily in and out of the oven
Minute Minder	Allows you to set a timer as well as a finish time for your cooking
Enamelled Interior	High grade and easy to clean enamelled interior with removable catalytic liners.
Cool-Touch Door	6mm thick triple glazed commercial grade glass oven door keeping the door cool to touch
Extra Height Kit Available	50mm plinth kit adjusts from 950mm - 970mm overall height
Gas Type	N/A
MADE IN ITALY	Units are designed specifically for the Australian market and manufactured in Italy by dedicated boutique specialist manufacturer

**Distributed by Arisit Pty Ltd**

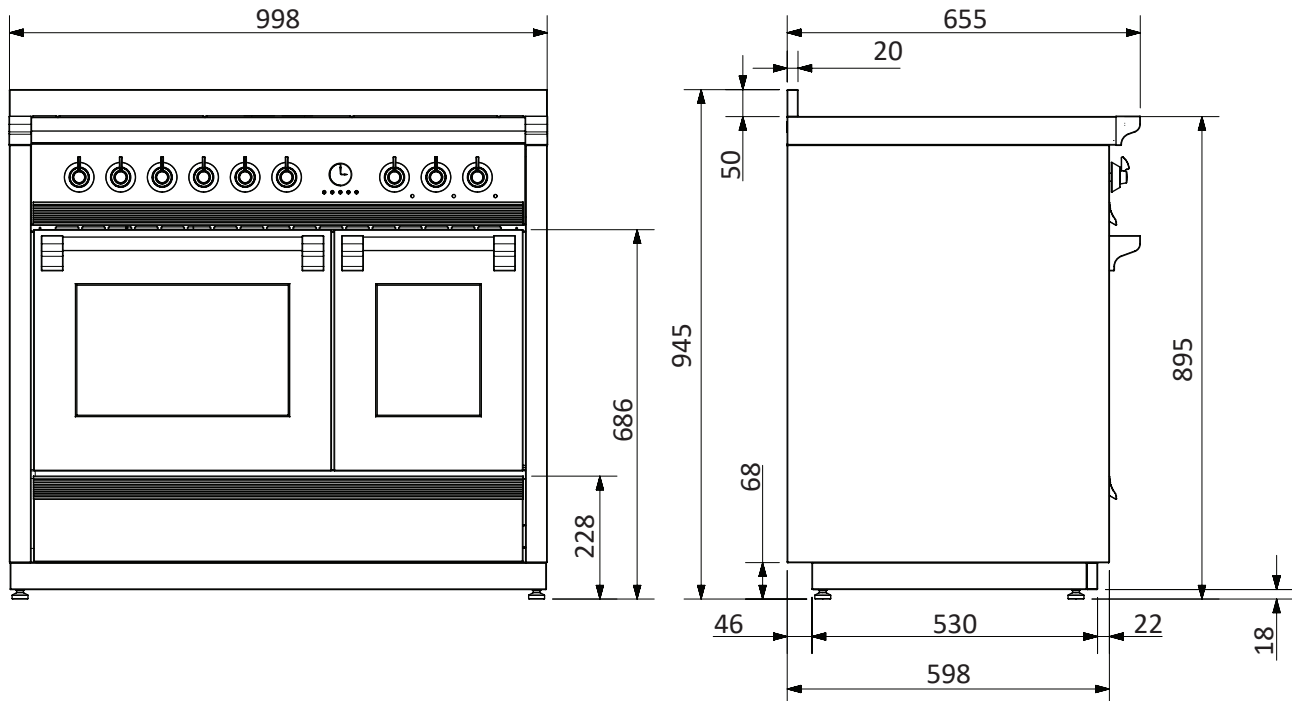
40-44 Mark Anthony Drive, Dandenong South VIC 3175 Phone: 1300 762 219 Fax: 03 9706 6904 Website: www.arisit.com

www.steelbrand.com.au

# A10FF-6I: Ascot 100cm

## Multi Function Upright Cooker

with 5 Induction Zones



Model	A10FF-6I
Combi-Steam Functionality	NO
Control Panel	Stainless Steel with metal knobs
Total Amps	49 AMPS
Mj/h Total Gas Consumption for cooking hob	N/A
Cooker Configuration	5 Induction Zones (2 x 3kw, 1 x 1.8kw & 2 x 3.2kw)
Main Oven	81 Litre Gross (70 Litre Net)
Internal Dimensions	(W) 470mm x (D) 430mm x (H) 350mm
Second Oven	49 Litre Gross (39 Litre Net)
Internal Dimensions	(W) 260mm x (D) 430mm x (H) 350mm
Flame Failure	YES
Product Dimensions	(W) 998mm x (D) 598mm x (H) 900-920mm

**WARNING:** Technical specifications and product sizes can be varied by the manufacturer, without notice. Cut outs for appliances should only be physical product measurements. The above information is indicative only.

**Distributed by Arisit Pty Ltd**

40-44 Mark Anthony Drive, Dandenong South VIC 3175 Phone: 1300 762 219 Fax: 03 9706 6904 Website: [www.arisit.com](http://www.arisit.com)

[www.steelbrand.com.au](http://www.steelbrand.com.au)