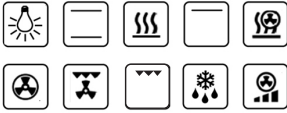


AFE9-S: Ascot 90cm

Combi-Steam Built In Oven



105lt Gross Capacity (91lt)
Combi-Steam



Standard Colours: anthracite & white

Features and Benefits:

Warranty	3 Years
Combi-Steam Cooking	High performance, healthy cooking, time and energy saving; Steel's Combi-Steam cooking doesn't alternate from steam to heat but rather a continuation of both at all times, giving you a the ultimate roasting results (crunchy on the outside and moist on the inside) with all the vitamins and minerals retained in your food as opposed to dried out.
Eleven Functions	Top and bottom element, static steam, top element, steam with fan assist, fan forced, grill with fan, grill (no fan), defrost, rapid heat, light only
Steam Generator	Located at the base of the oven - allows for efficient and professional cooking in a 100% humidity controlled oven
Telescopic Rails	Ensures you can move trays easily in and out of the oven
Minute Minder	Allows you to set a timer as well as a finish time for your cooking
Easy clean stainless steel interior	Interior of the oven is combined with a Micro-embossed stainless steel which allows the dirt and grime to come away from the sides of the oven with ease. The side, rear and base of the oven is also removable. Dishwasher proof.
Glass Door	6mm thick triple glazed commercial grade glass oven door keeping the door cool to touch
MADE IN ITALY	Units are designed specifically for the Australian market and manufactured in Italy by dedicated boutique specialist manufacturer

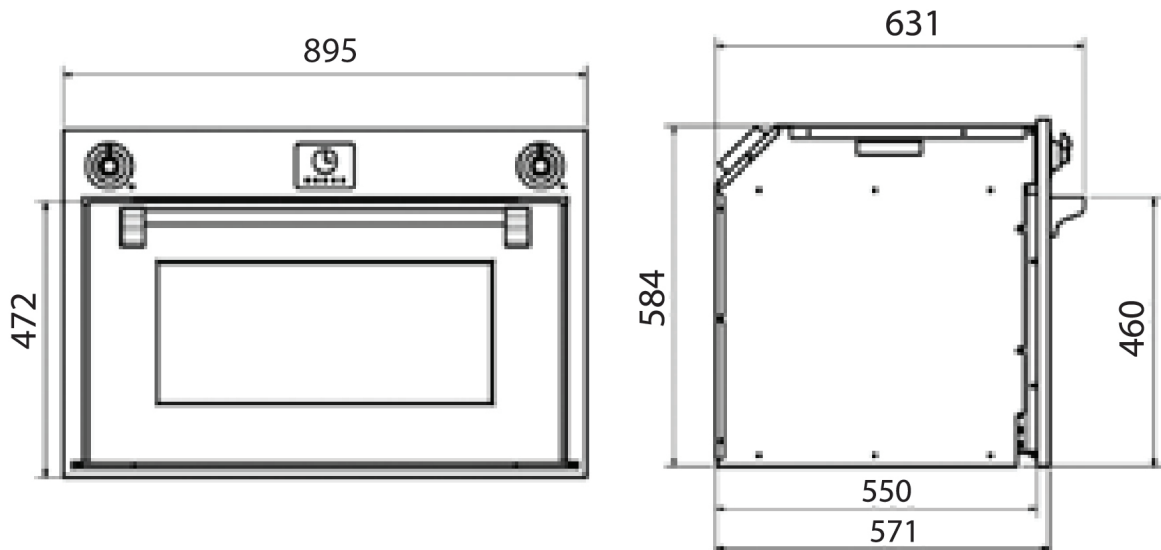
Distributed by Arisit Pty Ltd

40-44 Mark Anthony Drive, Dandenong South VIC 3175 Phone: 1300 762 219 Fax: 03 9706 6904 Website: www.arisit.com

www.steelbrand.com.au

AFE9-S: Ascot 90cm

Combi-Steam Built In Oven



Model	AFE9-S
Combi-Steam Functionality	YES
Control Panel	Stainless Steel with metal knobs
Total Amps	15 AMPS
Main Oven	105 Litre Gross (91 Litre Net)
Internal Dimensions	(W) 610mm x (D) 430mm x (H) 330mm
Second Oven	N/A
Internal Dimensions	N/A
Product Dimensions	(W) 895mm x (D) 571mm x (H) 595mm
Cut Out Product Dimensions	(W) 860mm x (H) 595mm

WARNING: Technical specifications and product sizes can be varied by the manufacturer, without notice. Cut outs for appliances should only be physical product measurements. The above information is indicative only.

Distributed by Arisit Pty Ltd

40-44 Mark Anthony Drive, Dandenong South VIC 3175 Phone: 1300 762 219 Fax: 03 9706 6904 Website: www.arisit.com

www.steelbrand.com.au