

# GFE9-S: Genesi 90cm

## Combi-Steam Built In Oven



110lt Gross Capacity (91lt)  
Combi-Steam



Standard Colours: stainless steel, anthracite & white  
Optional Colours: yellow, & black  
(available at extra cost)

### Features and Benefits:

Warranty	3 Years
Combi-Steam Cooking	Steel offers the only upright cooker on the Australian retail market with combi-steam technology and brass burners. Combi-Steam functionality provides an improved cooking experience by stopping food from drying out, helping to preserve nutrients and vitamins while delivering an improved taste.
Eleven Functions	Top and bottom element, static steam, top element, steam with fan assist, fan forced, grill with fan, grill (no fan), defrost and rapid heat
Meat Probe	Attachable meat probe thermometer, which allows oven to turn off when food reaches desired temperature and therefore cooked to your liking
Telescopic Rails	Ensures you can move trays easily in and out of the oven
Minute Minder	Allows you to set a timer as well as a finish time for your cooking
Easy clean stainless steel interior	Interior of the oven is combined with a Micro-embossed stainless steel which allows the dirt and grime to come away from the sides of the oven with ease. The side, rear and base of the oven is also removable. Dishwasher proof.
Cool-Touch Door	6mm thick triple glazed commercial grade glass oven door keeping the door cool to touch
MADE IN ITALY	Units are designed specifically for the Australian market and manufactured in Italy by dedicated boutique specialist manufacturer

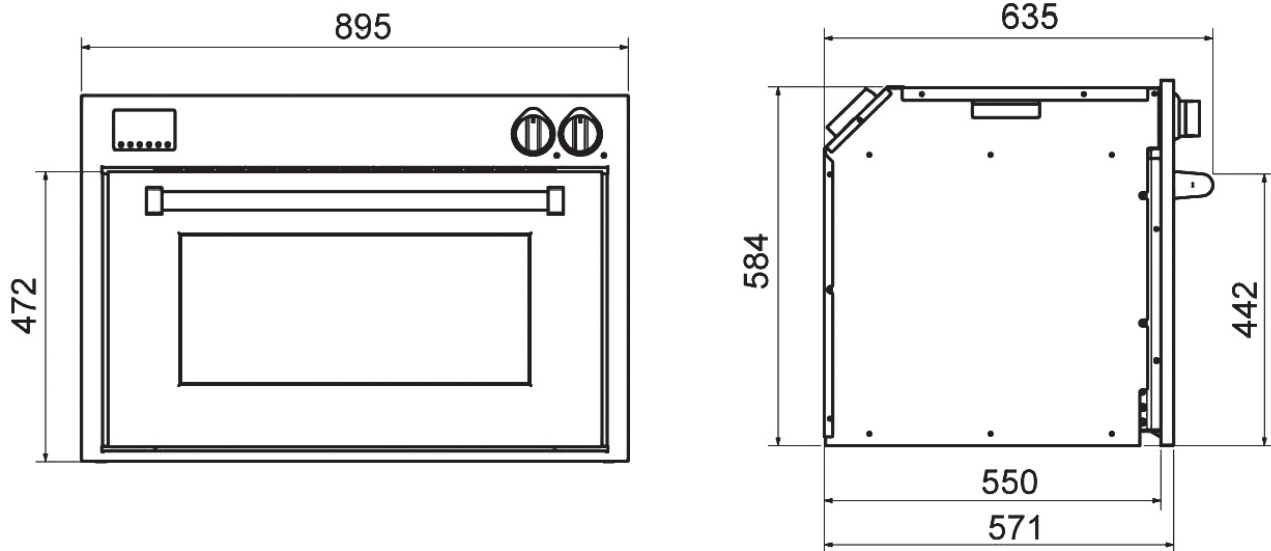
**Distributed by Arisit Pty Ltd**

40-44 Mark Anthony Drive, Dandenong South VIC 3175 Phone: 1300 762 219 Fax: 03 9706 6904 Website: [www.arisit.com](http://www.arisit.com)

[www.steelbrand.com.au](http://www.steelbrand.com.au)

# GFE9-S: Genesi 90cm

## Combi-Steam Built In Oven



Model	GFE9-S
Combi-Steam Functionality	YES
Control Panel	Stainless Steel with metal knobs
Total Amps	15 AMPS
Main Oven	105 Litre Gross (91 Litre Net)
Internal Dimensions	(W) 610mm x (D) 430mm x (H) 330mm
Second Oven	N/A
Internal Dimensions	N/A
Product Dimensions	(W) 895mm x (D) 571mm x (H) 595mm
Cut Out Product Dimensions	(W) 860mm x (H) 595mm

**WARNING:** Technical specifications and product sizes can be varied by the manufacturer, without notice. Cut outs for appliances should only be physical product measurements. The above information is indicative only.

**Distributed by Arisit Pty Ltd**

40-44 Mark Anthony Drive, Dandenong South VIC 3175 Phone: 1300 762 219 Fax: 03 9706 6904 Website: [www.arisit.com](http://www.arisit.com)

[www.steelbrand.com.au](http://www.steelbrand.com.au)