

# GFFE6-SE: Genesi 60x90cm

Combi-Steam Enamelled Built In Oven



Pizza Oven  
40lt Gross Capacity (34lt)



Main Oven  
81lt Gross Capacity (70lt)  
Combi-Steam



Standard Colours: stainless steel, anthracite & white, yellow, red, black



## Features and Benefits:

Warranty	3 Years
Combi-Steam Cooking	High performance, healthy cooking, time and energy saving; Steel's Combi-Steam cooking doesn't alternate from steam to heat but rather a continuation of both at all times, giving you the ultimate roasting results (crunchy on the outside and moist on the inside) with all the vitamins and minerals retained in your food as opposed to dried out.
Multi-Function (pizza oven)	Top and bottom element, bottom element, top element, Grill (no fan), light
Pizza Stone	Pizza stone as standard base for healthy pizza and breads at home
Meat Probe	Attachable meat probe thermometer
Multi-Functions (main oven)	Top and bottom element, top element, fan forced, grill with fan, grill (no fan), defrost and rapid heat
Steam Generator	Located at the base of the oven - allows for efficient and professional cooking in a 100% humidity controlled oven
Push pull storage system	Under the main cavity that can be used for storing items and warming plates
Telescopic Rails	Ensures you can move trays easily in and out of the oven
Minute Minder	Allows you to set a timer as well as a finish time for your cooking
Easy-clean steam-safe enamel	The new high grade flexible enamel is designed to withstand exposure to steam over long periods of time, making the Steel oven strong, durable and easy to clean.
Glass Door	6mm thick triple glazed commercial grade glass oven door keeping the door cool to touch
MADE IN ITALY	Units are designed specifically for the Australian market and manufactured in Italy by dedicated boutique specialist manufacturer

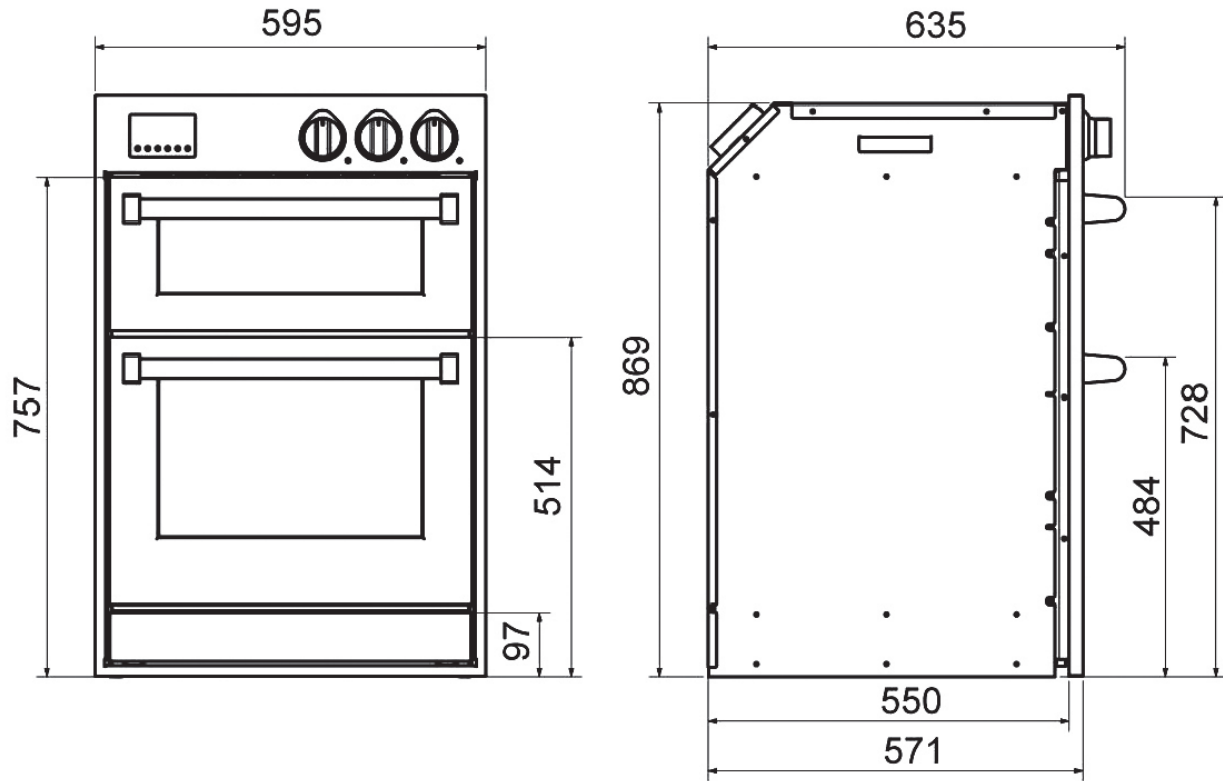
**Distributed by Arisit Pty Ltd**

40-44 Mark Anthony Drive, Dandenong South VIC 3175 Phone: 1300 762 219 Fax: 03 9706 6904 Website: www.arisit.com

www.steelbrand.com.au

# GFFE6-SE: Genesi 60x90cm

Combi-Steam Enamelled Built In Oven



Model	GFFE6-SE
Combi-Steam Functionality	YES
Control Panel	Stainless Steel with metal knobs
Total Amps	25 AMPS
Top Oven	40 Litre Gross (34 Litre Net)
Internal Dimensions	(W) 470mm x (D) 430mm x (H) 170mm
Main Oven	81 Litre Gross (70 Litre Net)
Internal Dimensions	(W) 470mm x (D) 430mm x (H) 350mm
Product Dimensions	(W) 595mm x (D) 571mm x (H) 880mm
Cut Out Product Dimensions	(W) 560mm x (H) 880mm

**WARNING:** Technical specifications and product sizes can be varied by the manufacturer, without notice. Cut outs for appliances should only be physical product measurements. The above information is indicative only.

**Distributed by Arisit Pty Ltd**

40-44 Mark Anthony Drive, Dandenong South VIC 3175 Phone: 1300 762 219 Fax: 03 9706 6904 Website: [www.arisit.com](http://www.arisit.com)

[www.steelbrand.com.au](http://www.steelbrand.com.au)