



## ENFASI 90 E9F-5NF

90CM UPRIGHT COOKER

<b>COLOUR</b>	MATTE BLACK
<b>TRIM</b>	BLACK
<b>COOKTOP</b>	5 GAS BURNERS INCLUDING BRASS WOK BURNER

### KEY FEATURES

- 90cm Dual Fuel Upright Cooker
- 5 Burner including Brass Wok
- 9 Oven Functions
- Programmable Timer with Minute Minder
- Adjustable Height
- 91Ltr Highest Grade Enamelled Interior
- Drop down Storage Drawer
- High Quality Shelving & Racking
- Hand Built In Italy

## 5 Year Warranty

[www.steelbrand.com.au](http://www.steelbrand.com.au)

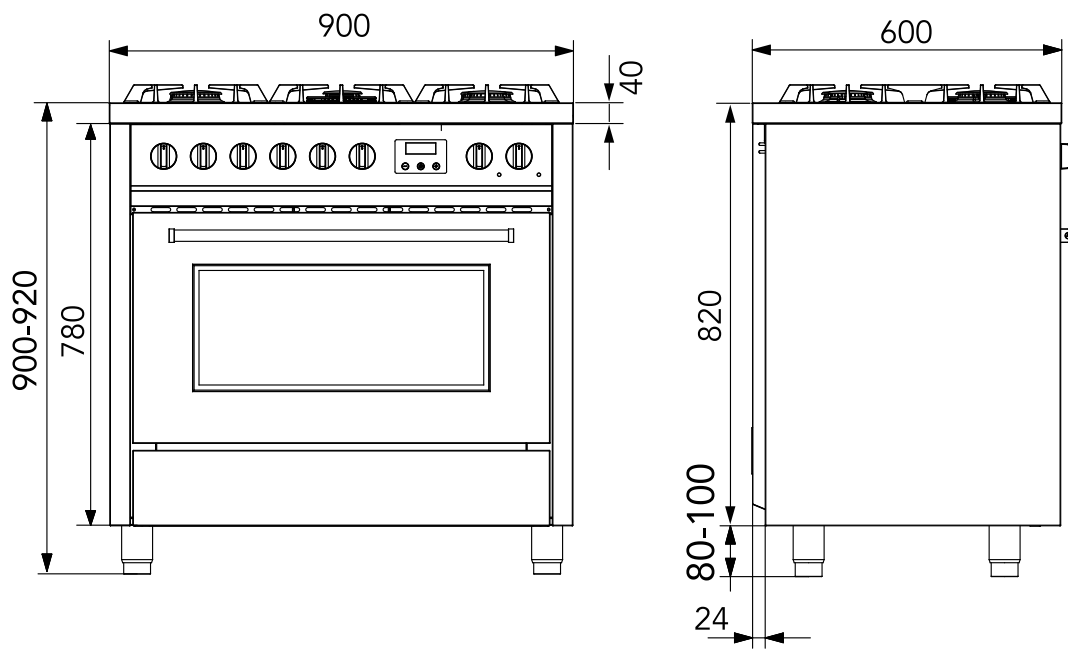
“PAST IS NOT A PACKAGE ONE CAN LAY AWAY”

- EMILY DICKINSON



**DISTRIBUTED BY ARISIT PTY LTD**

40-50 Mark Anthony Drive, Dandenong South VIC 3175  
Ph: 1300 762 219 Fax: 03 9768 0838 Website: [www.arisit.com](http://www.arisit.com)



DISTRIBUTED BY ARISIT PTY LTD

40-50 Mark Anthony Drive, Dandenong South VIC 3175  
Ph: 1300 762 219 Fax: 03 9768 0838 Website: [www.arisit.com](http://www.arisit.com)