



## ASCOT 100|3 AQ10SFF-D4M-AN-C

100CM UPRIGHT SOLID DOOR COOKER WITH 3 OVENS, 1X 70LTR COMBI-STEAM OVEN, 1X 39LTR 4 FUNCTION OVEN, 1X 34LTR PIZZA OVEN

<b>COLOUR</b>	ANTHRACITE (CHARCOAL)
<b>TRIM</b>	CHROME
<b>COOKTOP</b>	4M- 4 BRASS BURNERS PLUS 1X BRASS MEGA-WOK

### KEY FEATURES

- 100cm Dual Fuel Solid Door Upright Cooker
- 441 Grade Stainless Steel Body
- 5 Solid Brass Burners With Lifetime Warranty
- Patented INNVENT Ventillation System
- Dynamic Internal Lights
- 70Ltr Highest Grade Enamelled Interior Steam Oven
- 39Ltr 4 Function oven
- 34Ltr Pizza Oven
- Soft Close/Open Doors, Fully Extendable Warming / Storage Drawer
- Commercial Grade Shelving Including Telescopic Rails
- Hand Built In Italy

### 5 Year Warranty

[www.steelbrand.com.au](http://www.steelbrand.com.au)

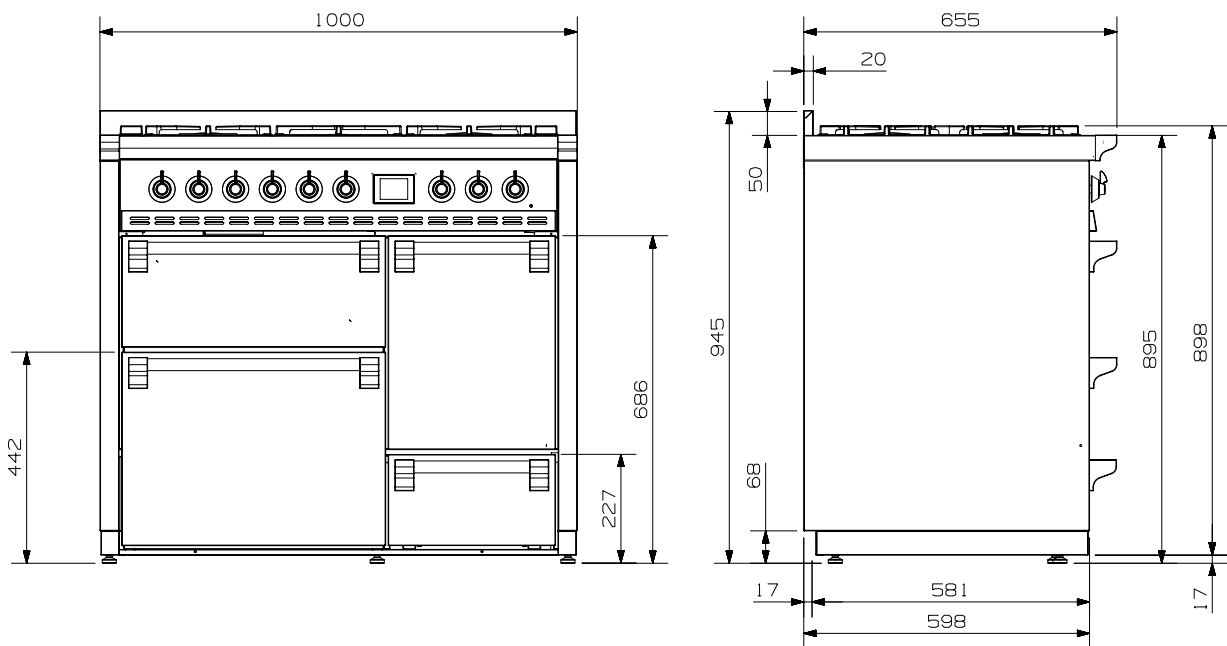
“TASTE IS THE COMMON SENSE OF GENIUS”

- VICTOR HUGO



**DISTRIBUTED BY ARISIT PTY LTD**

40-50 Mark Anthony Drive, Dandenong South VIC 3175  
Ph: 1300 762 212 Fax: 03 9768 0838 Website: [www.arisit.com](http://www.arisit.com)



## FEATURES



### ROTISSERIE

Featuring a rotisserie as standard across the range. You'll get professional results in your own home in no time. Perfect for up to 1.5kg cuts of meat or poultry.



### PATENTED INVENT TWIN FAN SYSTEM

The new anniversary range features a STEEL patented twin fan system. This system has two counter rotating fans that draw air in behind the rear oven panel and distribute it back into the oven using a perimetrical air flow for the ultimate in even cooking.



### COMBI STEAM

Make every dish just a tad more delicious: the steam generator allows for a constant, 100% steam saturation of the entire oven space, which secures that natural textures, colours and flavours of the food are retained together with more nutrients and vitamins.



### DYNAMIC OVEN LIGHTING

3 internal oven lamps strategically located to give clear and crisp internal lighting. Easy to check the progress during cooking without opening the door.



### COMMERCIAL STYLE OVEN FITTINGS

Anniversary range cookers feature the new heavy duty commercial grade trays, liners and telescopic racks that will never bow or twist even when using cast iron pans and trays. Made from easy to clean, high grade, 6mm thick 304 grade stainless steel.



### HAND CRAFTED IN ITALY

Today, Steel does not only produce a wide range of steel cooking appliances with high-end functionalities: Steel designs ideas and realises solutions. Steel is the result of a hundred years of passion and experience in the industry, handed down from father to son for four generations.

DISTRIBUTED BY ARISIT PTY LTD

40-50 Mark Anthony Drive, Dandenong South VIC 3175  
Ph: 1300 762 219 Fax: 03 9768 0838 Website: www.arisit.com